



DC-鼓风机风扇 25x25x07mm

马达可选功能列表 (Available Functions)

1. 马达保护 (Moto protection)

AS

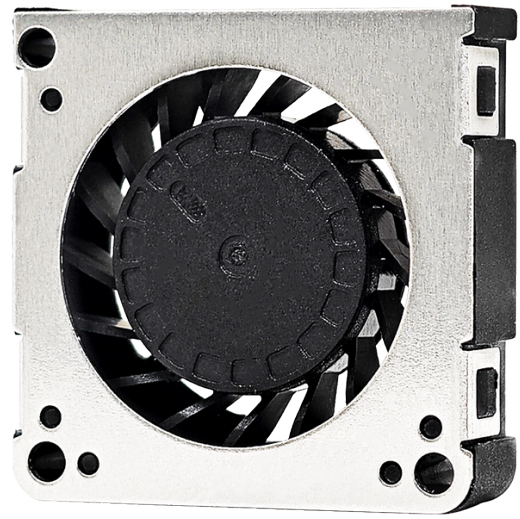
2. 信号输出 (Signal out put)

FG

RD

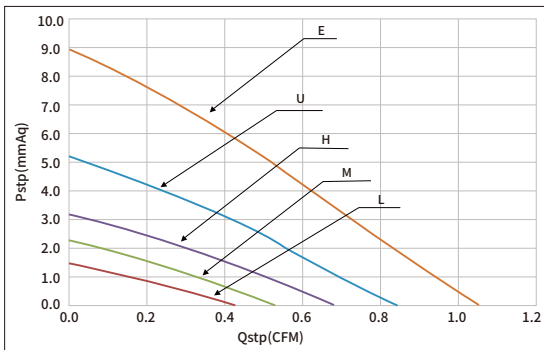
3. 调速方式 (Speed control mode)

PWM

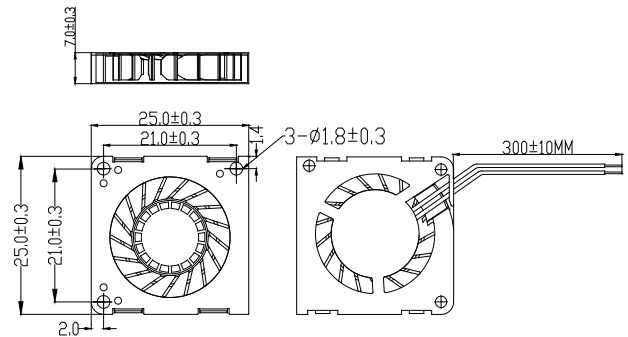


风扇单重:5g (weight:5g)

风扇P-Q曲线 / Fan performance curve



尺寸图 / DIMENSIONS DRAWING



| Model | | Bearing | Rated Voltage | Startup Voltage | Current | Power | Speed | Air Flow | | Static Pressure | | Noise |
|-----------|----------|-----------|---------------|-----------------|---------|-------|-------|---------------------|------|--------------------|--------------------|-------|
| 型号 | | 轴承 | 工作电压 | 启动电压 | 电流 | 功率 | 转速 | 风量 | | 风压 | | 噪音 |
| Part NO. | Function | System | VDC | VDC | A | W | RPM | M ³ /min | CFM | mmH ₂ O | INH ₂ O | dBA |
| HBH2505EQ | -A | Hydraulic | 5 | 4.0 | 0.25 | 1.25 | 9000 | 0.03 | 1.05 | 8.96 | 0.35 | 27.4 |
| HBH2505UQ | -A | | | 4.0 | 0.20 | 1.00 | 8000 | 0.02 | 0.84 | 5.20 | 0.20 | 21.2 |
| HBH2505HQ | | | | 4.0 | 0.15 | 0.75 | 7000 | 0.02 | 0.68 | 3.13 | 0.12 | 15.8 |
| HBH2505MQ | | | | 4.0 | 0.10 | 0.50 | 6000 | 0.01 | 0.53 | 2.24 | 0.09 | 12.4 |
| HBH2505LQ | | | | 4.0 | 0.06 | 0.30 | 5000 | 0.01 | 0.42 | 1.44 | 0.06 | 10.6 |
| HBH2512EQ | -A | Hydraulic | 12 | 6.0 | 0.17 | 2.04 | 9000 | 0.03 | 1.05 | 8.96 | 0.35 | 27.4 |
| HBH2512UQ | -A | | | 6.0 | 0.14 | 1.68 | 8000 | 0.02 | 0.84 | 5.20 | 0.20 | 21.2 |
| HBH2512HQ | | | | 6.0 | 0.11 | 1.32 | 7000 | 0.02 | 0.68 | 3.13 | 0.12 | 15.8 |
| HBH2512MQ | | | | 6.0 | 0.08 | 0.96 | 6000 | 0.01 | 0.53 | 2.24 | 0.09 | 12.4 |
| HBH2512LQ | | | | 6.0 | 0.05 | 0.60 | 5000 | 0.01 | 0.42 | 1.44 | 0.06 | 10.6 |