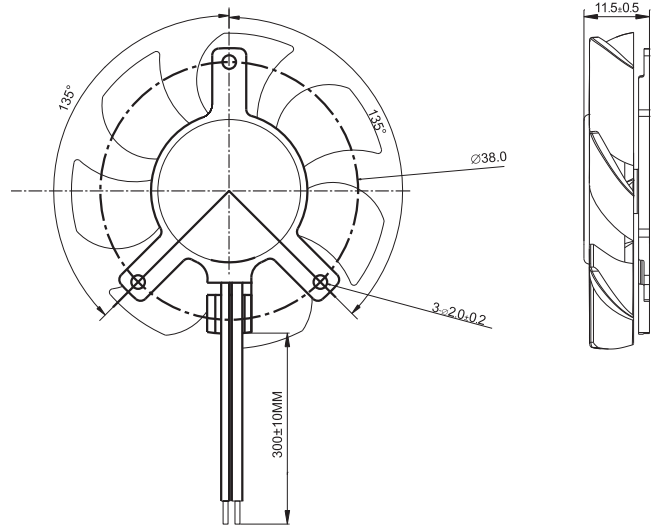


50x50x10mm



DIMENSIONS DRAWING



AVAILABLE FUNCTIONS

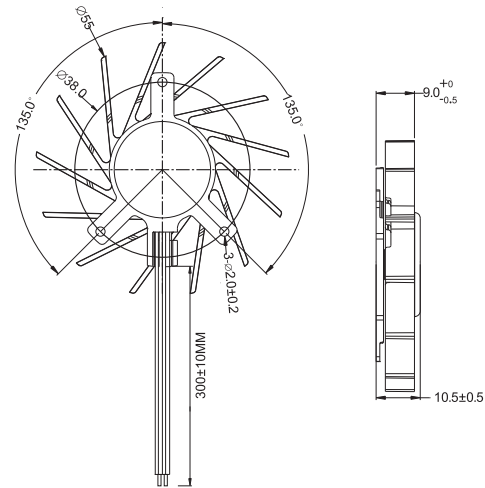
- 1. Moto protection
AS
- 2. Signal out put
FG RD
- 3. Speed control mode
PWM TC

Model	Bearing	Rated Voltage	Startup Voltage	Current	Power	Speed	Air Flow		Static Pressure		Noise	
Part NO.	Function	System	VDC	VDC	A	W	RPM	M ³ /min	CFM	mmH ₂ O	INH ₂ O	dBA
HYB0512HG		Sleeve /Ball	12	9.0	0.15	1.80	6000	0.25	8.74	3.79	0.15	33.0
HYB0512MG				9.0	0.10	1.20	5500	0.23	8.17	3.31	0.13	30.9
HYB0512LG				9.0	0.08	0.96	4500	0.18	6.35	2.14	0.08	25.8

60x60x10mm



DIMENSIONS DRAWING



AVAILABLE FUNCTIONS

- 1. Moto protection
AS
- 2. Signal out put
FG RD
- 3. Speed control mode
PWM TC

Model	Bearing	Rated Voltage	Startup Voltage	Current	Power	Speed	Air Flow		Static Pressure		Noise	
Part NO.	Function	System	VDC	VDC	A	W	RPM	M ³ /min	CFM	mmH ₂ O	INH ₂ O	dBA
HYB0612HG		Sleeve /Ball	12	6.0	0.34	4.08	4000	0.43	15.09	2.31	0.09	29.2
HYB0612MG				6.0	0.18	2.16	3500	0.38	13.29	1.81	0.07	26.8
HYB0612LG				6.0	0.16	1.92	3000	0.31	10.84	1.26	0.05	23.0

Notes1: The catalog have detail information in the front page for the functions.
2: If you want another rpm or voltage or functions which one in the list, please contact with our sales.