



防水防尘-风扇 80x80x25mm-4

马达可选功能列表 (Available Functions)

1. 马达保护 (Moto protection)

AS

2. 信号输出 (Signal out put)

FG

RD

3. 调速方式 (Speed control mode)

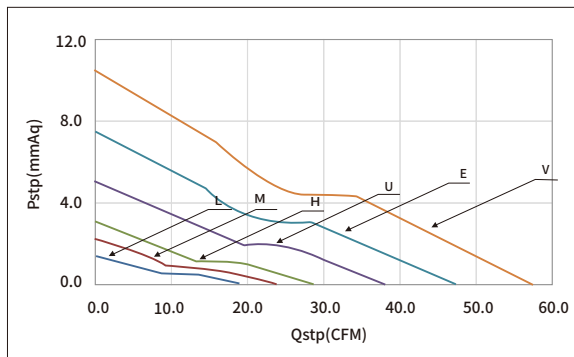
PWM



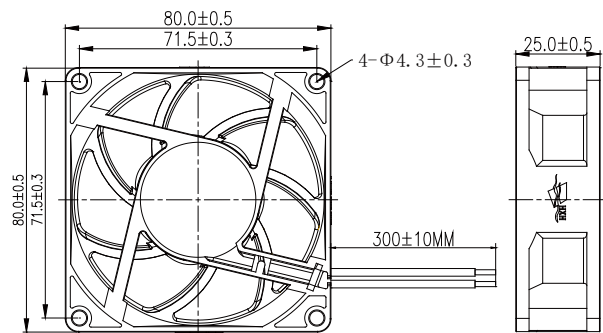
风扇单重: 119g (weight: 119g)



风扇P-Q曲线 / Fan performance curve



尺寸图 / DIMENSIONS DRAWING



| Model | | Bearing | Rated Voltage | Startup Voltage | Current | Power | Speed | Air Flow | | Static Pressure | | Noise |
|-------------|----------|---------|---------------|-----------------|---------|-------|-------|---------------------|-------|--------------------|--------------------|-------|
| 型号 | | 轴承 | 工作电压 | 启动电压 | 电流 | 功率 | 转速 | 风量 | | 风压 | | 噪音 |
| Part NO. | Function | System | VDC | VDC | A | W | RPM | M ³ /min | CFM | mmH ₂ O | INH ₂ O | dBA |
| HDB0812VA-4 | IP68 | Ball | 12 | 6.0 | 0.55 | 6.60 | 6000 | 1.63 | 57.61 | 10.43 | 0.41 | 43.1 |
| HDB0812EA-4 | IP68 | | | 6.0 | 0.38 | 4.56 | 5000 | 1.34 | 47.24 | 7.44 | 0.29 | 39.7 |
| HDB0812UA-4 | IP68 | | | 6.0 | 0.28 | 3.36 | 4000 | 1.08 | 38.14 | 5.01 | 0.20 | 33.9 |
| HDB0812HA-4 | IP68 | | | 6.0 | 0.23 | 2.76 | 3000 | 0.81 | 28.64 | 3.03 | 0.12 | 23.7 |
| HDB0812MA-4 | IP68 | | | 9.0 | 0.16 | 1.92 | 2500 | 0.67 | 23.52 | 2.12 | 0.08 | 17.5 |
| HDB0812LA-4 | IP68 | | | 9.0 | 0.09 | 1.08 | 2000 | 0.53 | 18.65 | 1.31 | 0.05 | 13.5 |
| HDB0824VA-4 | IP68 | Ball | 24 | 12.0 | 0.35 | 8.40 | 6000 | 1.63 | 57.61 | 10.4 | 0.41 | 43.1 |
| HDB0824EA-4 | IP68 | | | 12.0 | 0.28 | 6.72 | 5000 | 1.34 | 47.24 | 7.44 | 0.29 | 39.7 |
| HDB0824UA-4 | IP68 | | | 12.0 | 0.18 | 4.32 | 4000 | 1.08 | 38.14 | 5.01 | 0.20 | 33.9 |
| HDB0824HA-4 | IP68 | | | 12.0 | 0.14 | 3.36 | 3000 | 0.81 | 28.64 | 3.03 | 0.12 | 23.7 |
| HDB0824MA-4 | IP68 | | | 18.0 | 0.09 | 2.16 | 2500 | 0.67 | 23.52 | 2.12 | 0.08 | 17.5 |
| HDB0824LA-4 | IP68 | | | 18.0 | 0.06 | 1.44 | 2000 | 0.53 | 18.65 | 1.31 | 0.05 | 13.5 |