

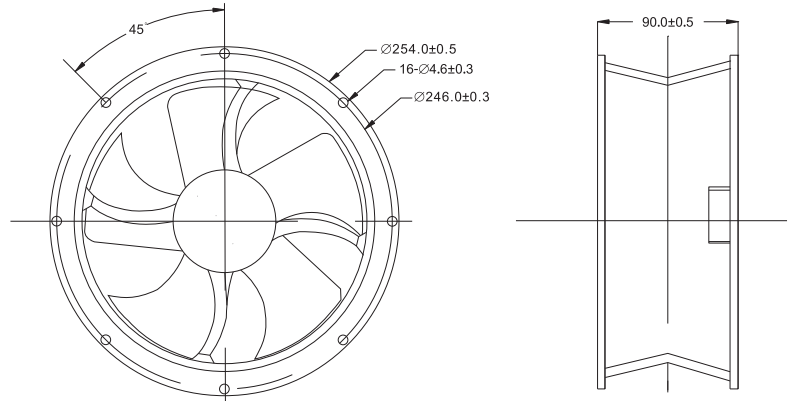
# AC FAN



## 254x89mm



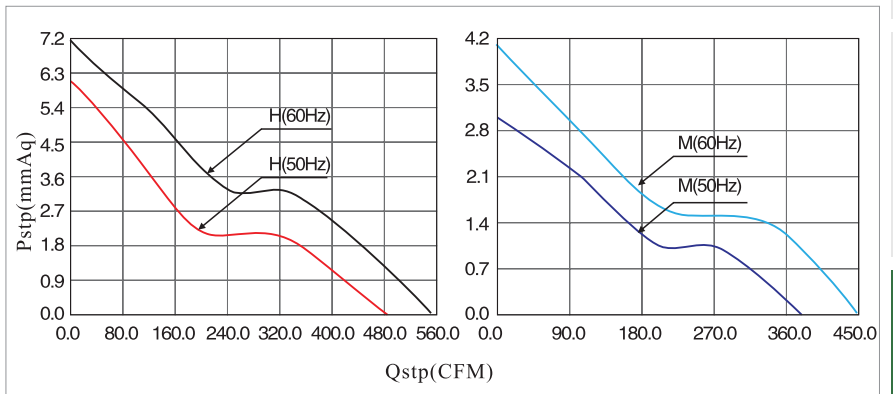
### DIMENSIONS DRAWING



### AVAILABLE FUNCTIONS

- 1. Moto protection  
**AS**
- 2. Signal out put  
**FG RD**
- 3. Speed control mode  
**PWM TC**

### P&Q CURVE(AT RATEDVOLTAGE)



Model		Bearing	Rated Voltage	Startup Voltage	Freq.	Current	Speed	Air Flow		Static Pressure		Noise
Part NO.	Function	System	VAC	VAC	Hz	A	RPM	M <sup>3</sup> /min	CFM	mmH <sub>2</sub> O	INH <sub>2</sub> O	dBA
HAS254110HX	W/T	Sleeve	110	100-125	50/60	0.45/0.36	1380/1640	13.58/15.57	480/550	6.1/7.1	0.24/0.28	48/56
HAS254110MX	W/T			100-125	50/60	0.32/0.28	1100/1240	10.75/12.74	380/450	3.0/4.1	0.12/0.16	41/45
HAB254110HX	W/T	Ball		100-125	50/60	0.45/0.36	1380/1640	13.58/15.57	480/550	6.1/7.1	0.24/0.28	48/56
HAB254110MX	W/T			100-125	50/60	0.32/0.28	1100/1240	10.75/12.74	380/450	3.0/4.1	0.12/0.16	41/45
HAS254220HX	W/T	Sleeve	220	200-240	50/60	0.23/0.18	1380/1640	13.58/15.57	480/550	6.1/7.1	0.24/0.28	48/56
HAS254220MX	W/T			200-240	50/60	0.17/0.15	1100/1240	10.75/12.74	380/450	3.0/4.1	0.12/0.16	41/45
HAB254220HX	W/T	Ball		200-240	50/60	0.23/0.18	1380/1640	13.58/15.57	480/550	6.1/7.1	0.24/0.28	48/56
HAB254220MX	W/T			200-240	50/60	0.17/0.15	1100/1240	10.75/12.74	380/450	3.0/4.1	0.12/0.16	41/45

Notes 1: The catalog have detail information in the front page for the functions.  
2: If you want another rpm or voltage or functions which one in the list, please contact with our sales.