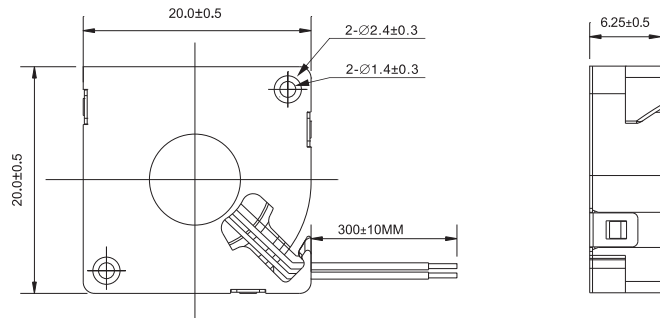


DC BLOWER FAN

20x20x6mm



DIMENSIONS DRAWING



AVAILABLE FUNCTIONS

1. Moto protection

AS

2. Signal out put

FG

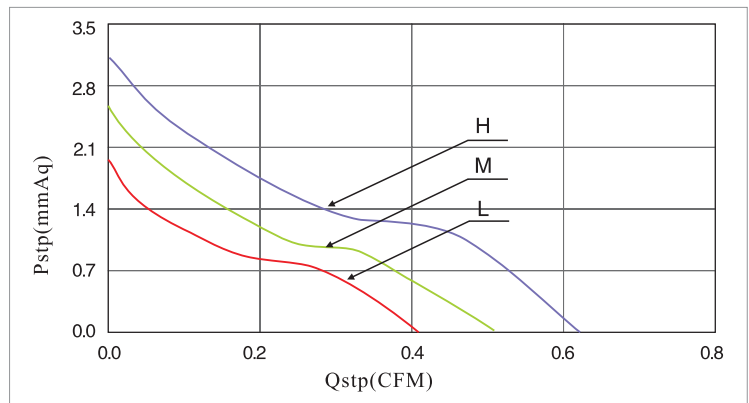
RD

3. Speed control mode

PWM

TC

P&Q CURVE (AT RATED VOLTAGE)



Model		Bearing	Rated Voltage	Startup Voltage	Current	Power	Speed	Air Flow		Static Pressure		Noise
Part NO.	Function	System	VDC	VDC	A	W	RPM	M ³ /min	CFM	mmH ₂ O	INH ₂ O	dBA
HBH0205HK	-A	Hydraulic	5	4.0	0.16	0.80	15000	0.02	0.62	3.14	0.12	34.5
HBH0205MK	-A			4.0	0.12	0.60	12000	0.01	0.51	2.57	0.10	27.5
HBH0205LK	-A			4.0	0.08	0.40	9000	0.01	0.41	1.96	0.08	21.6
HBH0212HK	-A	Hydraulic	12	6.0	0.11	1.32	15000	0.02	0.62	3.14	0.12	34.5
HBH0212MK	-A			6.0	0.08	0.96	12000	0.01	0.51	2.57	0.10	27.5
HBH0212LK	-A			6.0	0.05	0.60	9000	0.01	0.41	1.96	0.08	21.6

Notes1: The catalog have detail information in the front page for the functions.

2: If you want another rpm or voltage or functions which one in the list, please contact with our sales.